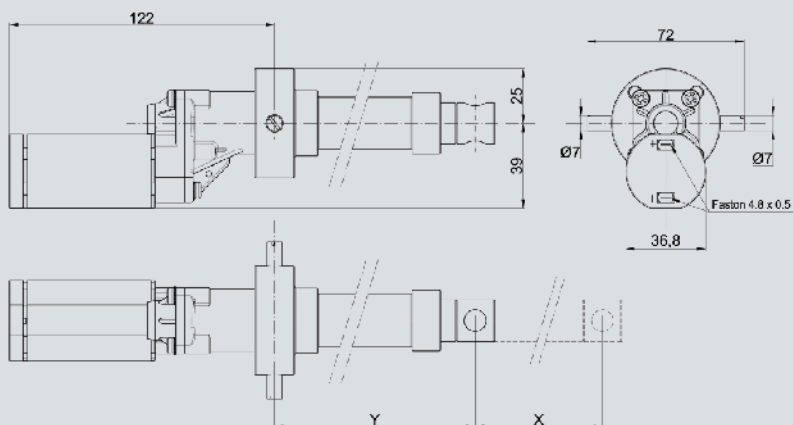
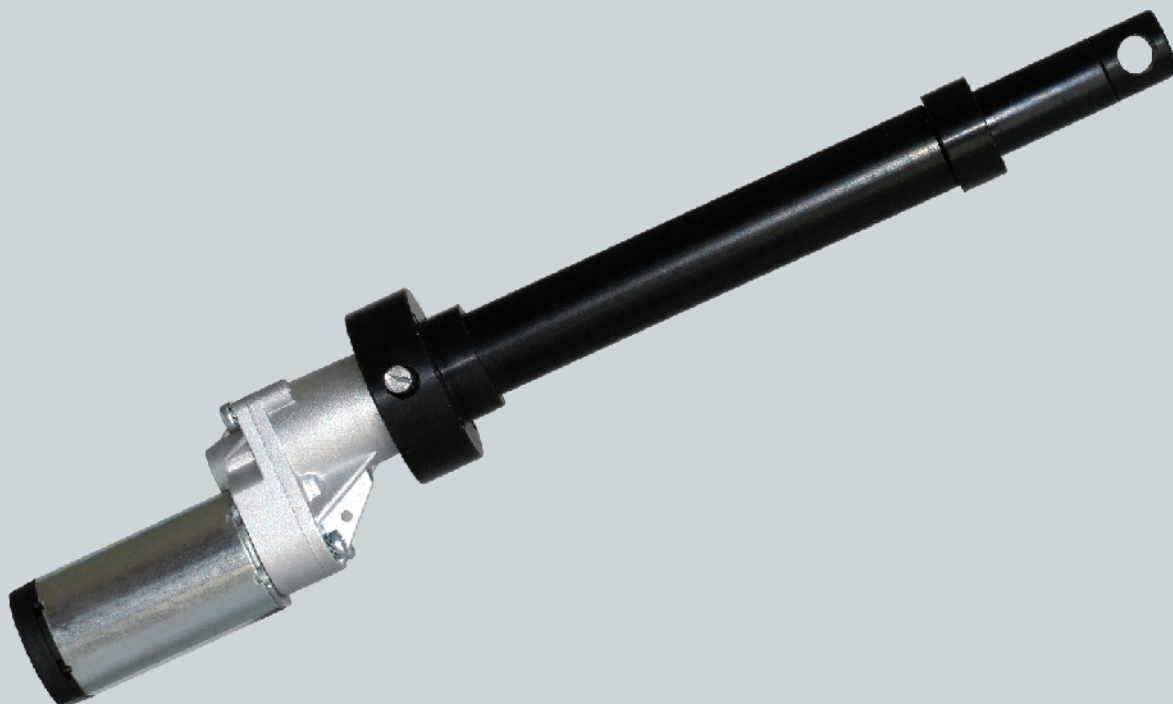


# Microwin



MR42  
MR62-31  
MR62-35  
MR62-43  
MR76  
MR90  
M42  
M62  
M76  
M90  
Attuatori  
Microwin

Tensione nominale Supply voltage Tension nominal Nennspannung (V)	Velocità a vuoto No load speed Vitesse à vide Hubgeschwindigkeit (mm/sec)	Carico Nominale Nominal Load Charge nominal Hubkraft (N)	Corsa Stroke Cours Hub (mm)
12 V	2,7	400	50 / 100 / 150 200 / 250 / 300
	5	1200	
	8,6	200	
	20	400	
24 V	5	1000	
	10	1200	
	18,5	400	
	40	400	

**Accessori**  
Accessories  
Accessoires  
Optionen

**Encoder, 2 Impulsi / Giro.**  
Encoder, 2 Pulses/Rev.  
Codeur, 2 Imp / Tour.  
Hall Sensor, 2 Imp / U.